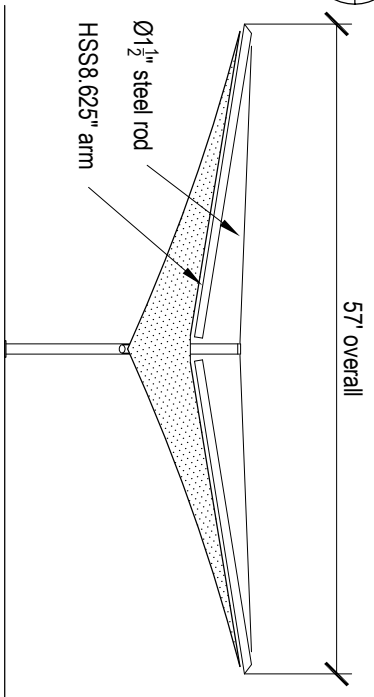
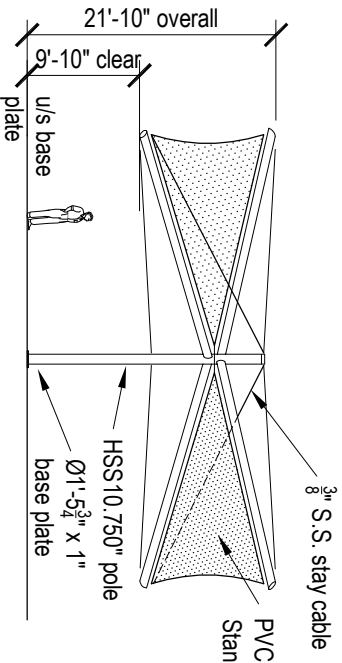


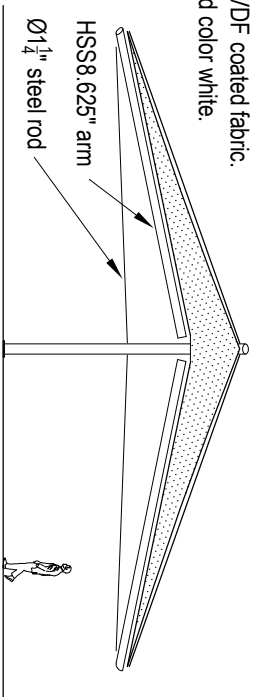
Plan
H - HIGH POINT
L - LOW POINT



Section A-A



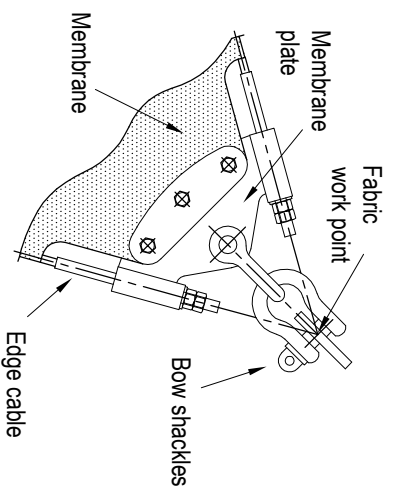
Elevation



Section B-B

- Overall dimensions represent clearance dimensions for the complete structure.
- A minimum of 4" clearance to any buildings, poles etc. is recommended.

QUASAR SERIES - 39'-4" Square
Model QS120 (Contour Edge)
Designed to 90mph, Exp C



DETAIL
Not to scale

