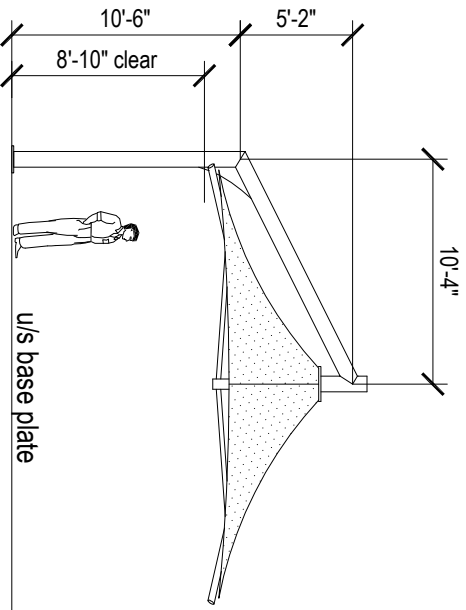


Plan

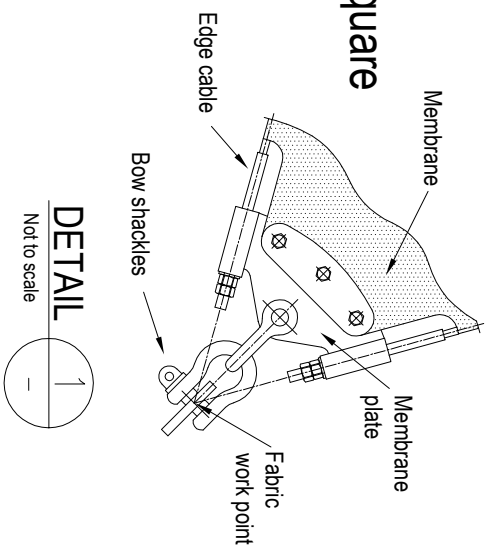


Elevation

# MONACO SIDE SUPPORT - 19'-8" Square Model MSS60 (Contour Edge)

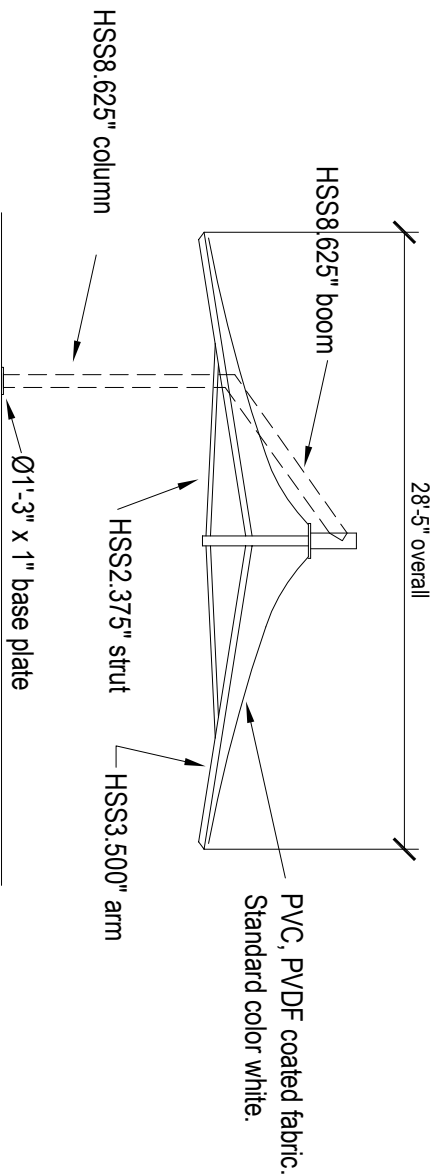
Designed to 90mph, Exp C

- Overall dimensions represent clearance dimensions for the complete structure.
- A minimum of 4" clearance to any buildings, poles etc. is recommended.



DETAIL

Not to scale



Section A-A

Monaco Side Support Model MSS60  
Modular Systems  
Engineering Framing

MSS60-1101  
www.birdairumbrellas.com  
sales@birdairumbrellas.com

