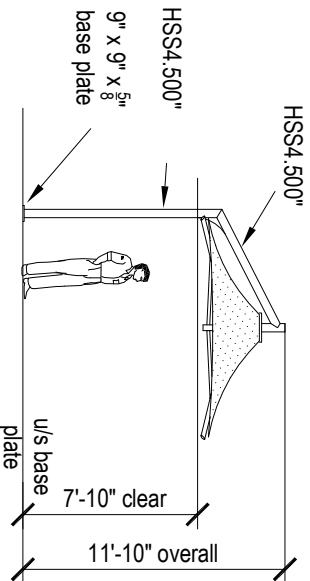
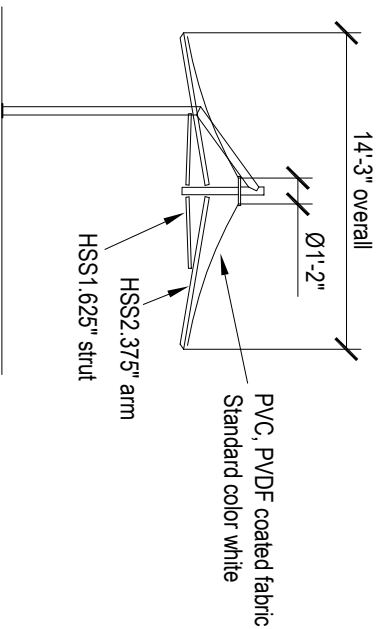


Plan



Elevation

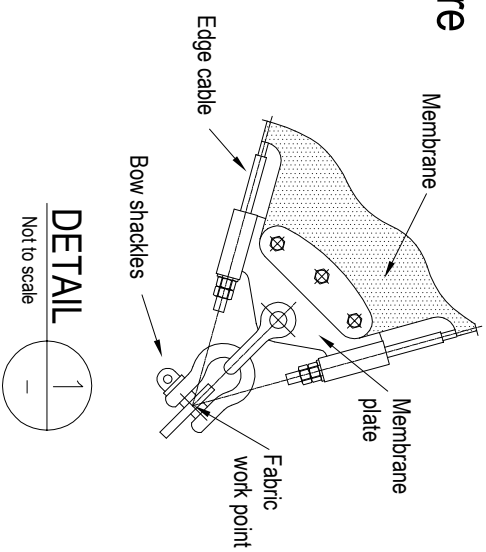


Section A-A

MONACO SIDE SUPPORT - 9'-10" Square Model MSS30 (Contour Edge)

Designed to 90mph Exp C

- Overall dimensions represent clearance dimensions for the complete structure.
- A minimum of 4" clearance to any buildings, poles etc. is recommended.



DETAIL

Not to scale

