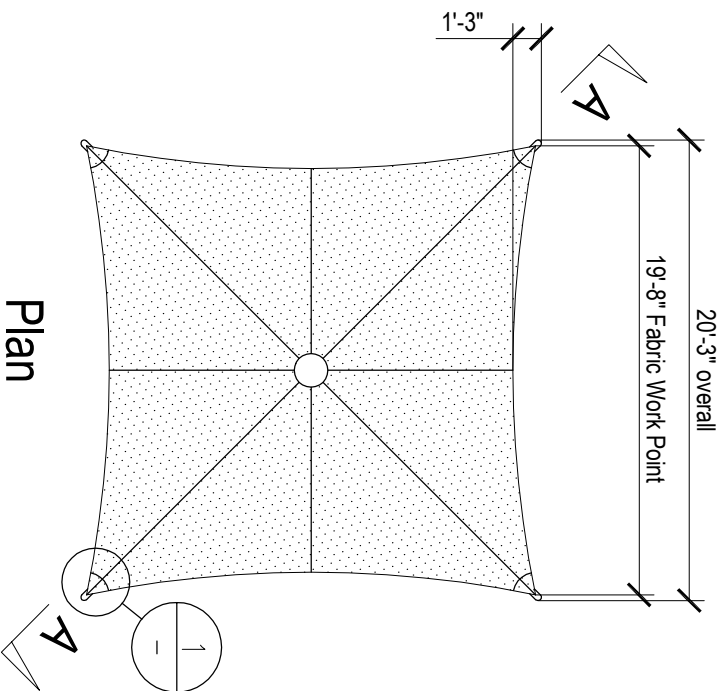


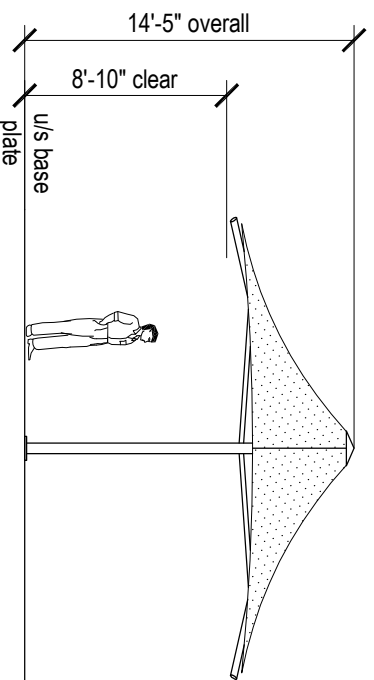
MONACO SERIES - 19'-8" Square Model MS60 (Contour Edge)

Designed to 90mph, Exp C

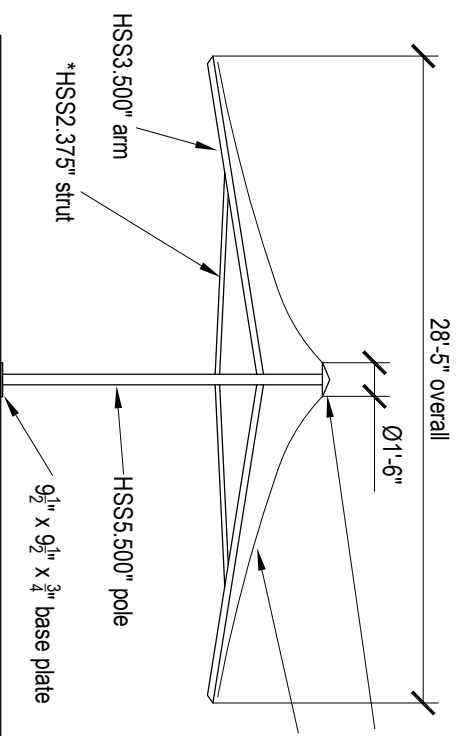
- Overall dimensions represent clearance dimensions for the complete structure.
- A minimum of 4" clearance to any buildings, poles etc. is recommended.



Plan

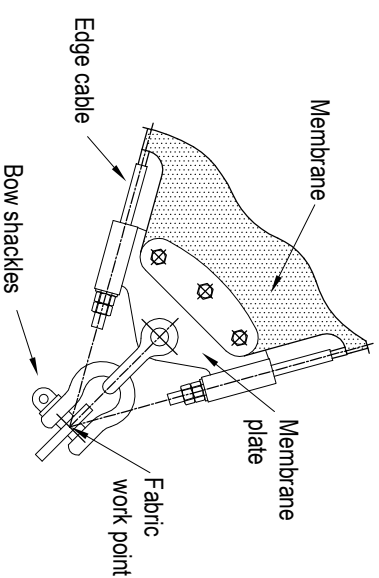


Elevation



Section A-A

Aluminium top hat
PVC, PVDF coated fabric.
Standard color white.



DETAIL
Not to scale

