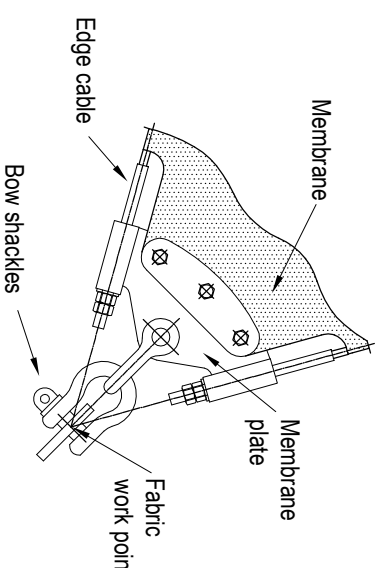


# MONACO SERIES - 32'-10" Square Model MS100 (Contour Edge)

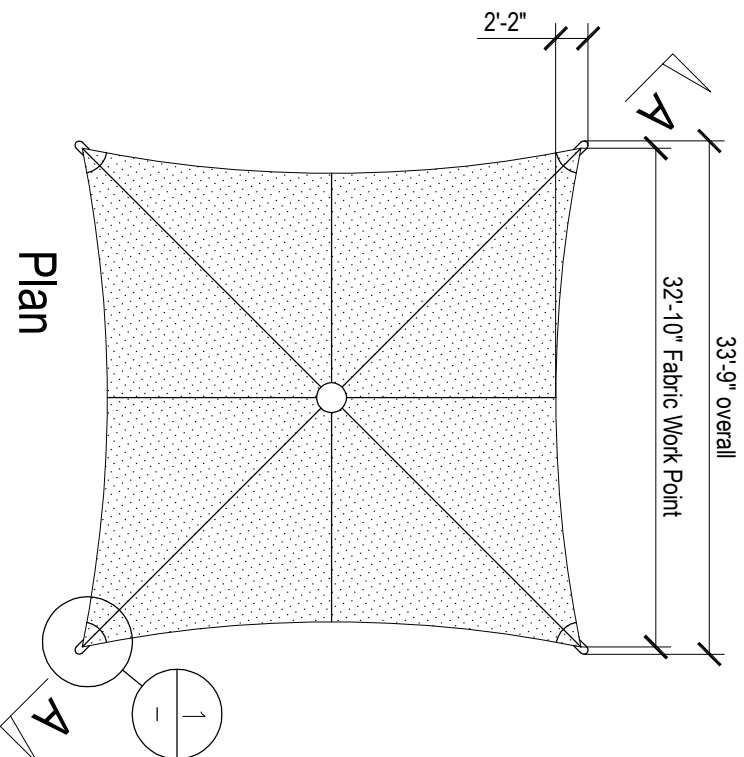
Designed to 90mph, Exp C

- Overall dimensions represent clearance dimensions for the complete structure.
- A minimum of 4" clearance to any buildings, poles etc. is recommended.

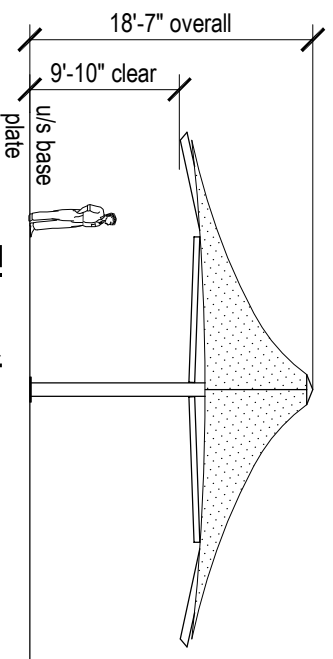


**DETAIL**

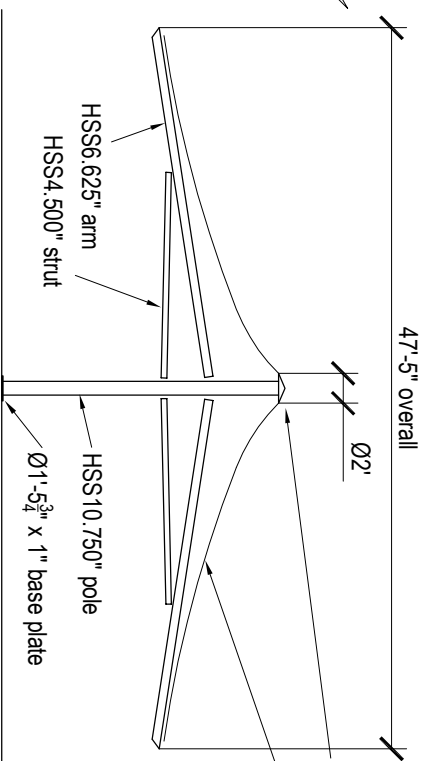
Not to scale



**Plan**

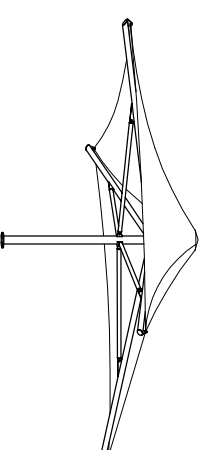


**Elevation**



**Section A-A**

Aluminium top hat  
PVC, PVDF coated fabric  
Standard color white



Monaco Model MS100 Contour Edge  
Modular



Birdair Inc.

Engineering Framing

MS100-1101-08.10

www.birdairumbrellas.com  
sales@birdairumbrellas.com