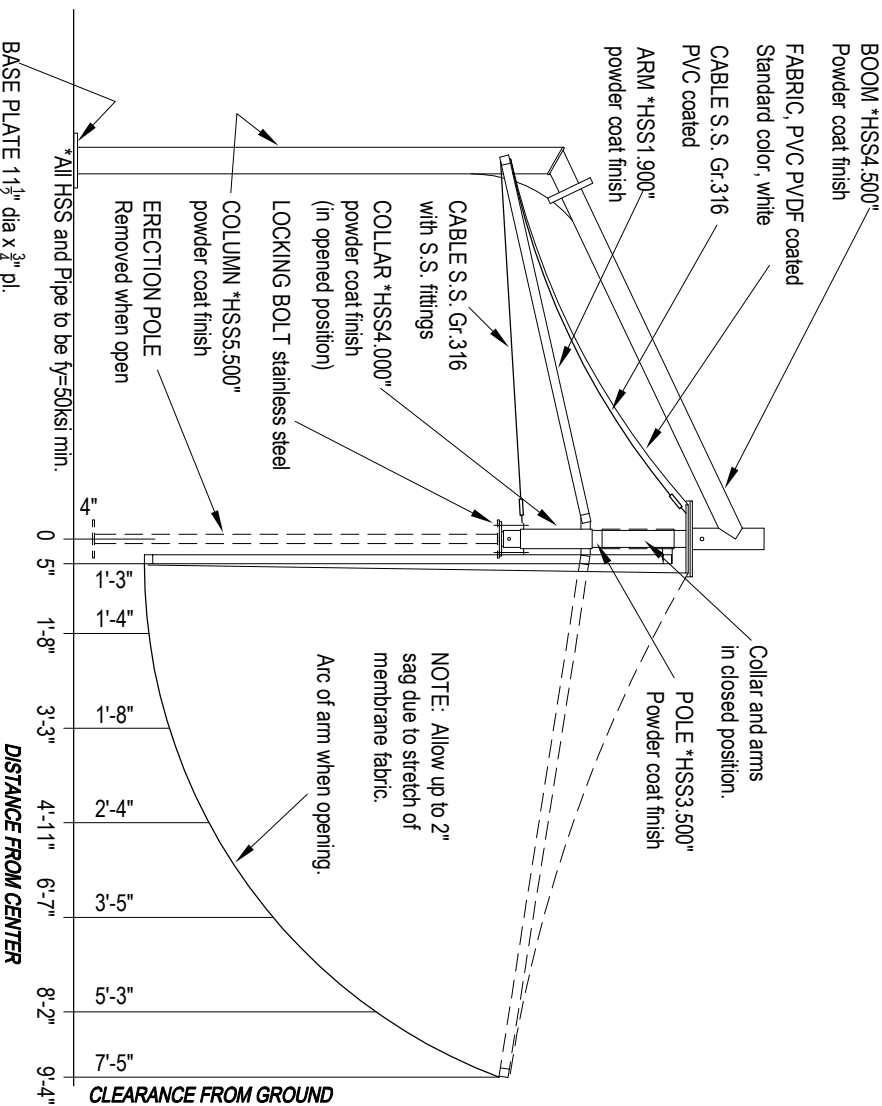
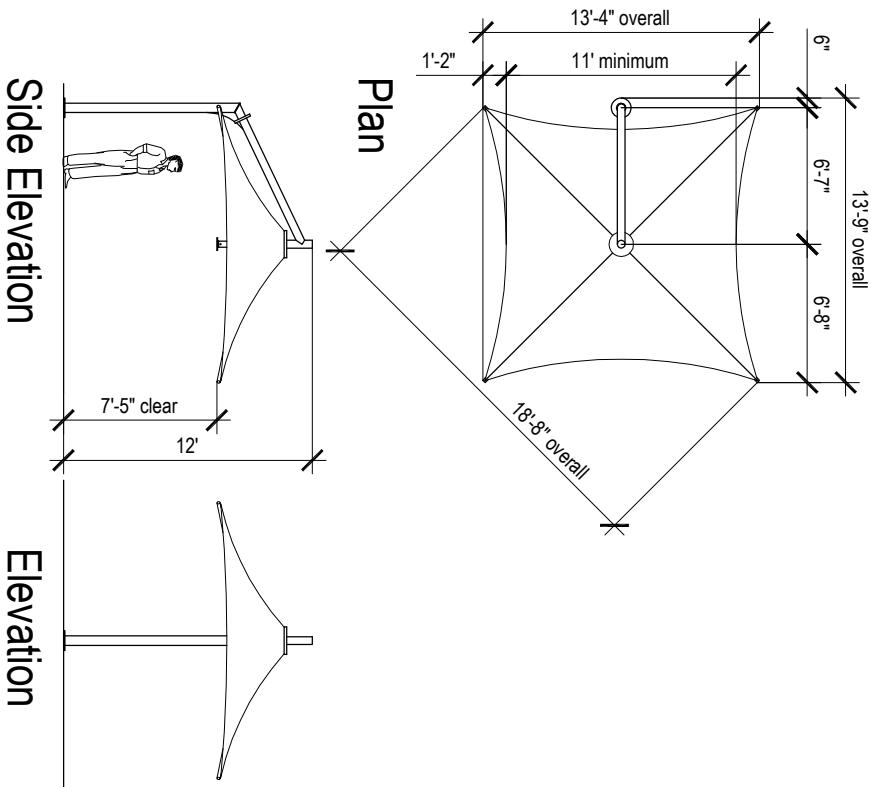


**LEVA SQUARE 13'-4" - LS40**

Designed to 90mph, Exp B  
 Rated when umbrella is fully erected.  
 Umbrella weight: 212 lb.  
 Boom weight: 246 lb.

Overall dimensions represent clearance dimensions for the complete umbrella. Membrane dimensions differ, depending on variations in tensioning and fabrication. All dimensions are nominal and have a tolerance of  $\pm .2"$ .

Note : The umbrellas must be closed and tied before wind speeds reach gusts of 60mph (100km/h) Refer note on Specification - Umbrella Design.

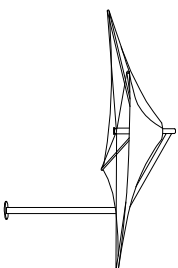


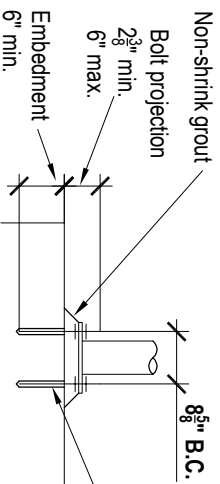
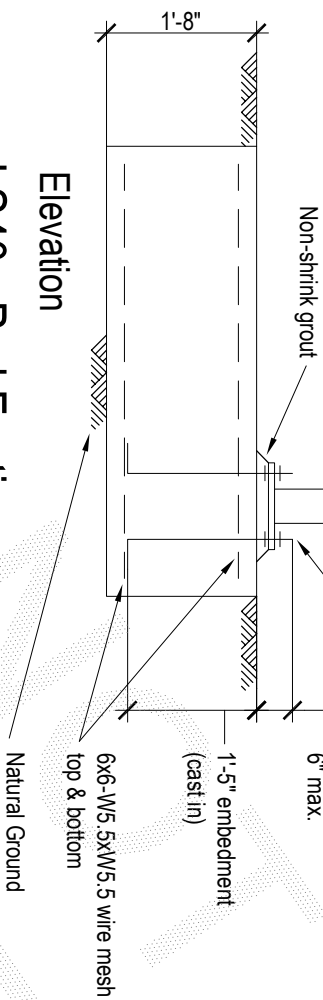
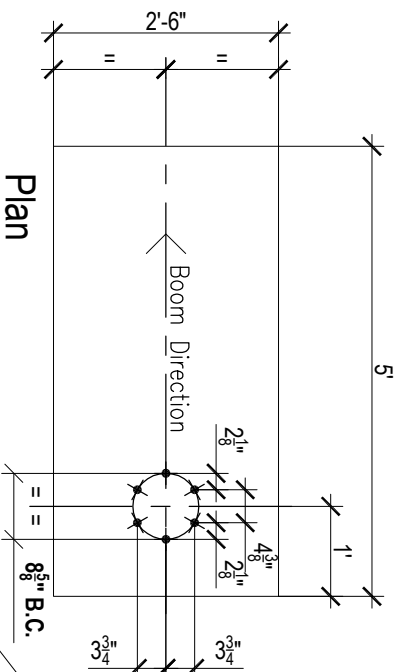
**BASE PLATE** 11 $\frac{1}{2}$ " dia x  $\frac{3}{4}$ " pl. with  $\varnothing 3"$  service hole.  
 6- $\frac{3}{4}$ " hold down bolts on  $\varnothing 8\frac{1}{2}"$  B.C. F-1554 Gr. 36 galvanized or stainless steel Gr.316. With dome nuts and leveling nuts.

**OPENED POSITION**  
View square to boom

**CLOSED POSITION**  
View square to arm

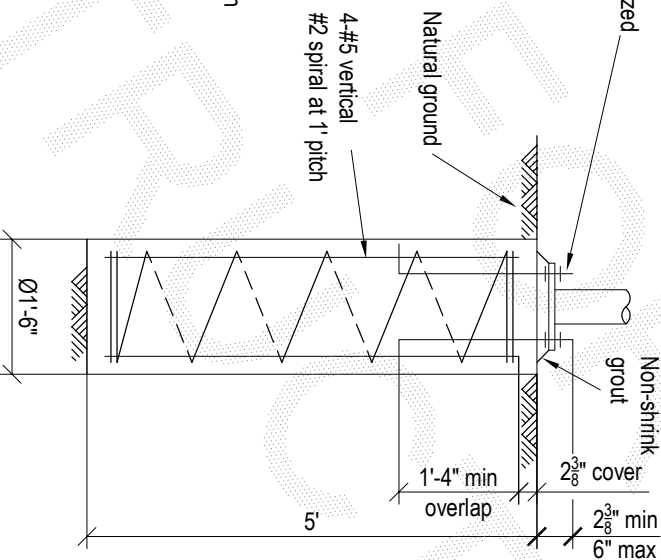
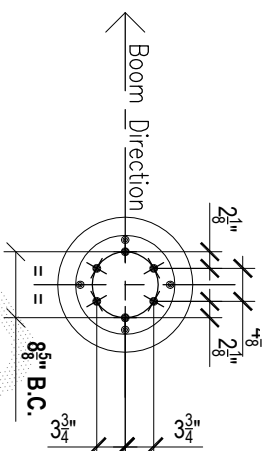
**13'-4" Side Support Square Umbrella**  
**Leva - Model LS40**





### Chemical Anchor Detail

6- $\frac{3}{4}$ " H.D. bolts to be threaded rod F1554 Gr. 36 hot dipped galvanized, or stainless steel Gr. 316. Supplied with nuts, washers and leveling nuts. Chemical anchors, on 8 $\frac{5}{8}$ " B.C., to be **Ramset Reo 502 (or 'Hilti HIT-RE 500')**, or engineer approved equivalent, and to be installed in accordance with the manufacturer's instructions.

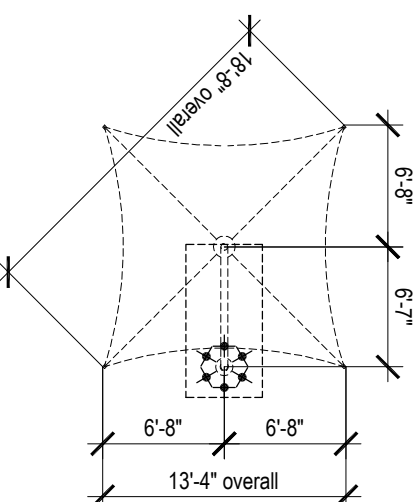


### LS40 - Pier Footing

Elevation

Plan

- Notes:**
- Designed to 90mph, Exp B
  - Assumed soil conditions:
  - Pad - bearing capacity 14.5 psf
  - Pier - cu=7.25 psf (stiff clay)
  - Minimum 2 $\frac{3}{8}$ " cover to all reinforcement
  - Concrete strength - f'c 3600 psi
  - 3 $\frac{3}{4}$ " aggregate size
  - Slump 22"
- Anchor bolt location tolerances per Australian Standard AS 4800-1998**
- 3mm for anchor bolt centers within an anchor bolt group.
  - 6mm for adjacent anchor bolt group centers.
  - Maximum accumulation of 6mm per 30m not to exceed a total of 25mm.
  - 6mm from anchor bolt group center to column line center.



### H.D. Bolt Layout Plan

Not to scale

