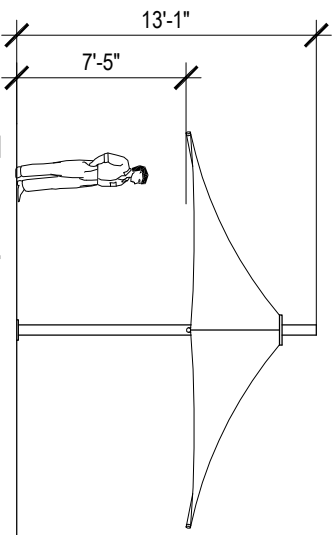
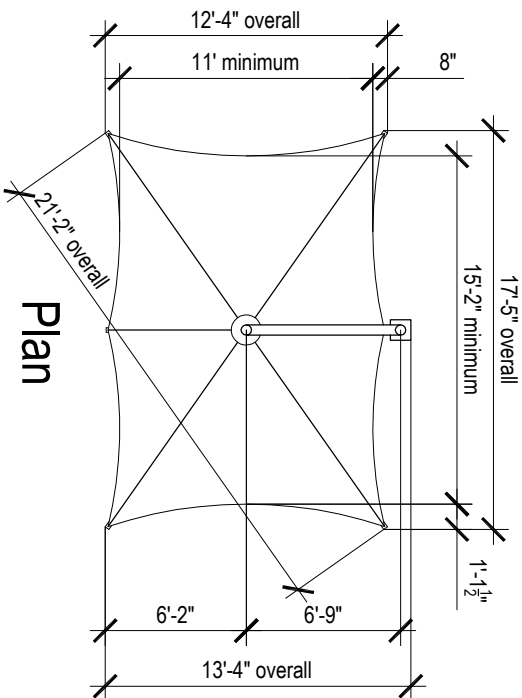


**LEVA RECTANGULAR 17'-5" - LR53**

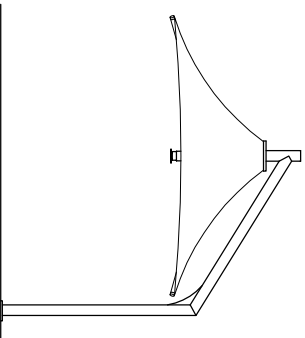
Designed to 90mph, Exp B  
 Rated when umbrella is fully erected.  
 Umbrella weight: 254 lb.  
 Boom weight: 298 lb.

Note : The umbrellas must be closed and tied before wind speeds reach gusts of 60mph (100km/h) Refer note on Specification - Umbrella Design.

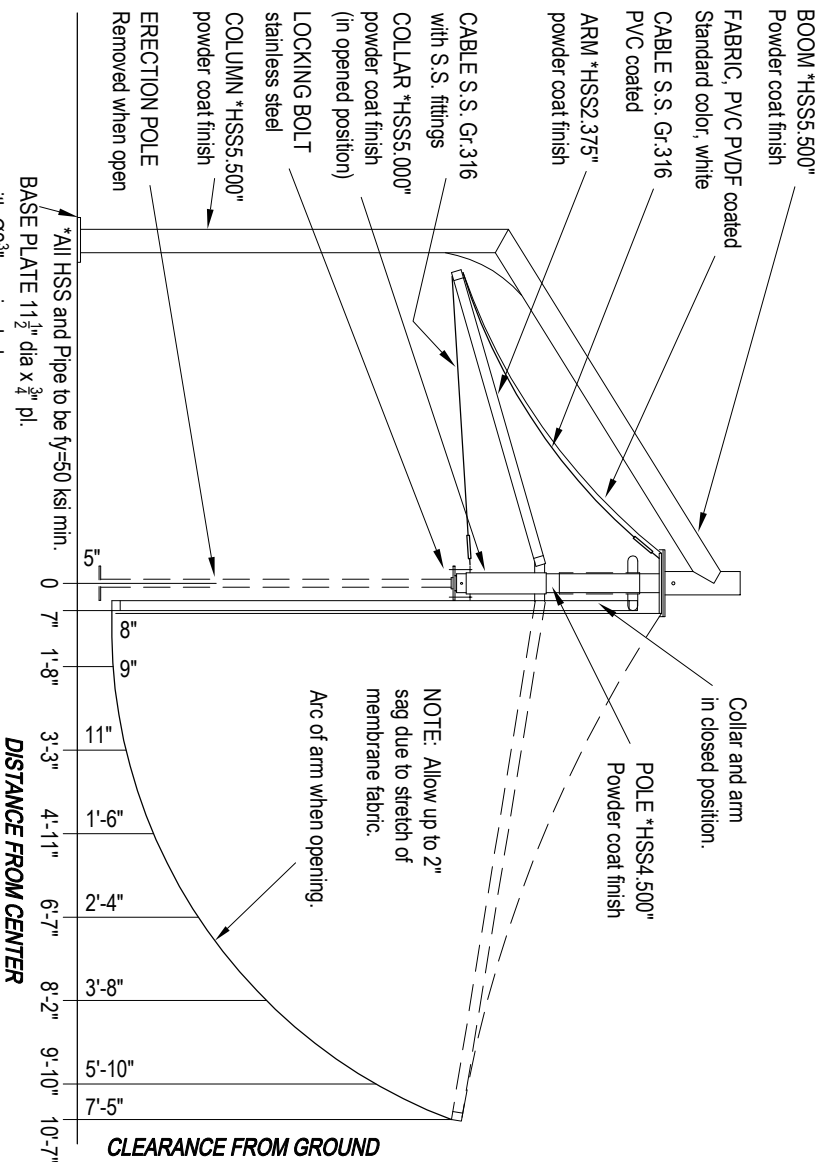
Overall dimensions represent clearance dimensions for the complete umbrella. Membrane dimensions differ, depending on variations in tensioning and fabrication. All dimensions are nominal and have a tolerance of +/- 2" .



**Elevation**



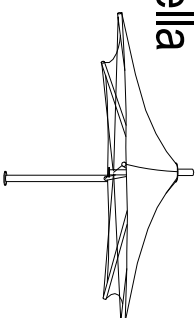
**End Elevation**



**OPENED POSITION**  
 View square to boom

**CLOSED POSITION**  
 View square to arm

**17'-5" Side Support Rectangular Umbrella**  
**Leva - Model LR53**



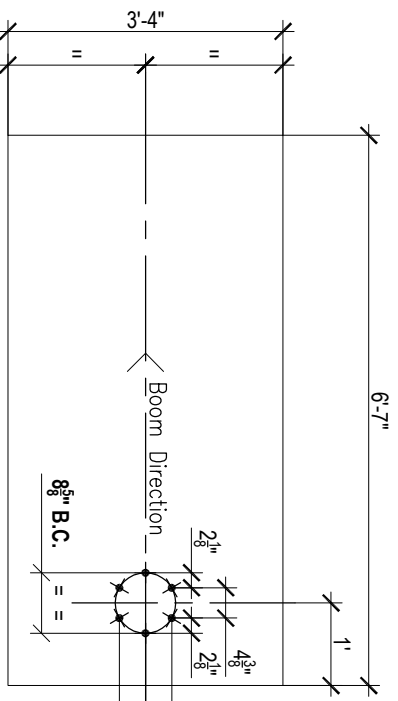
Leva Model LR53  
 Architectural Umbrellas

Engineering Framing

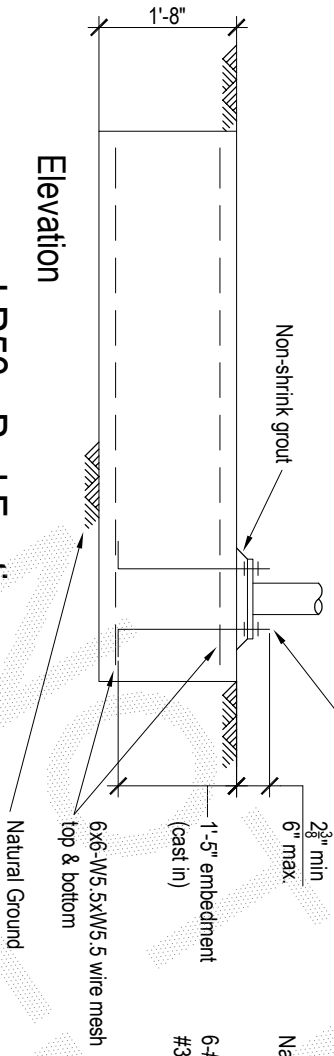
EF-LR53-07.10

www.birdairumbrellas.com  
 sales@birdairumbrellas.com



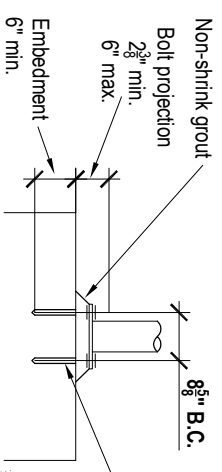


Plan



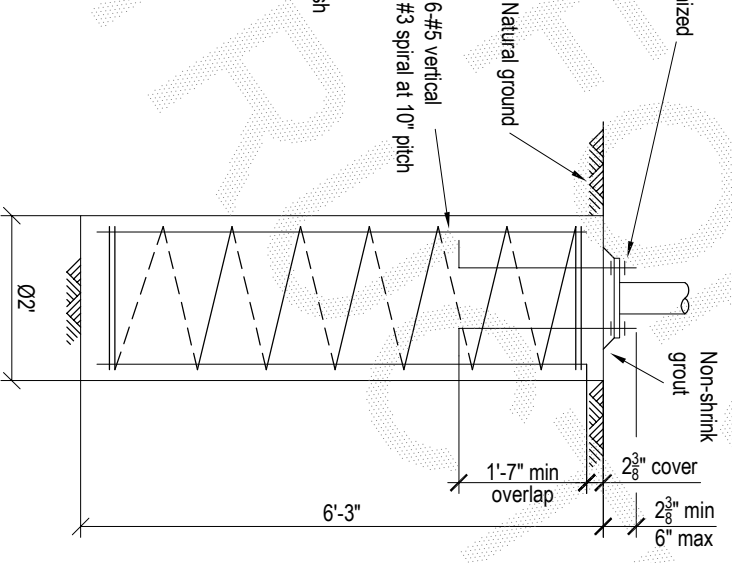
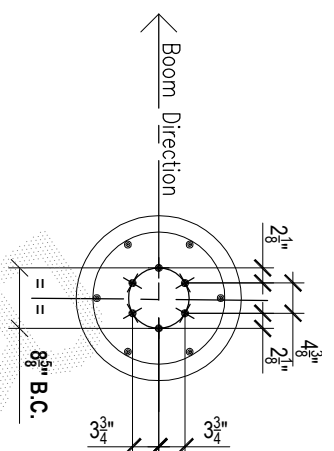
Elevation

### LR53 - Pad Footing



### Chemical Anchor Detail

6- $\frac{3}{4}$ " H.D. bolts to be threaded rod grade F1554 Gr. 36 hot dipped galvanized, or stainless steel Gr. 316. Supplied with nuts, washers and leveling nuts. Chemical anchors, on 8 $\frac{5}{8}$ " B.C., to be **Ranset Reo 502 (or Hilti HIT-RE 500)**, or engineer approved equivalent, and to be installed in accordance with the manufacturer's instructions.



Elevation

### LR53 - Pier Footing

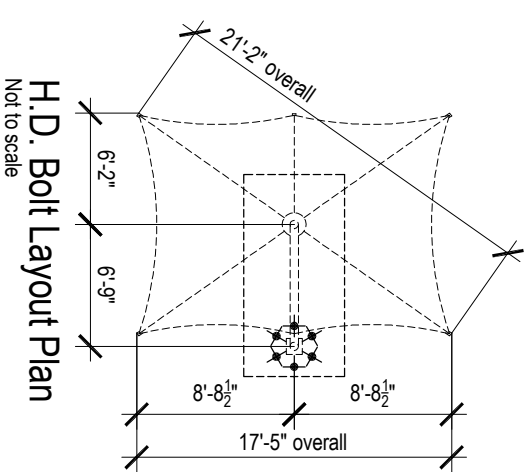
**Notes:**  
Designed to 90mph, Exp B

Assumed soil conditions:  
Pad - bearing capacity 14.5 psf  
Pier - cu=7.25 psf (stiff clay)

Minimum 2 $\frac{3}{8}$ " cover to all reinforcement  
Concrete strength - f'c 3600 psi  
 $\frac{3}{4}$ " aggregate size  
Slump 2 $\frac{1}{2}$ "

**Anchor bolt location tolerances per Australian Standard AS 4800-1998**

- 3mm for anchor bolt centers within an anchor bolt group.
- 6mm for adjacent anchor bolt group centers.
- Maximum accumulation of 6mm per 30m not to exceed a total of 25mm.
- 6mm from anchor bolt group center to column line center.



H.D. Bolt Layout Plan  
Not to scale