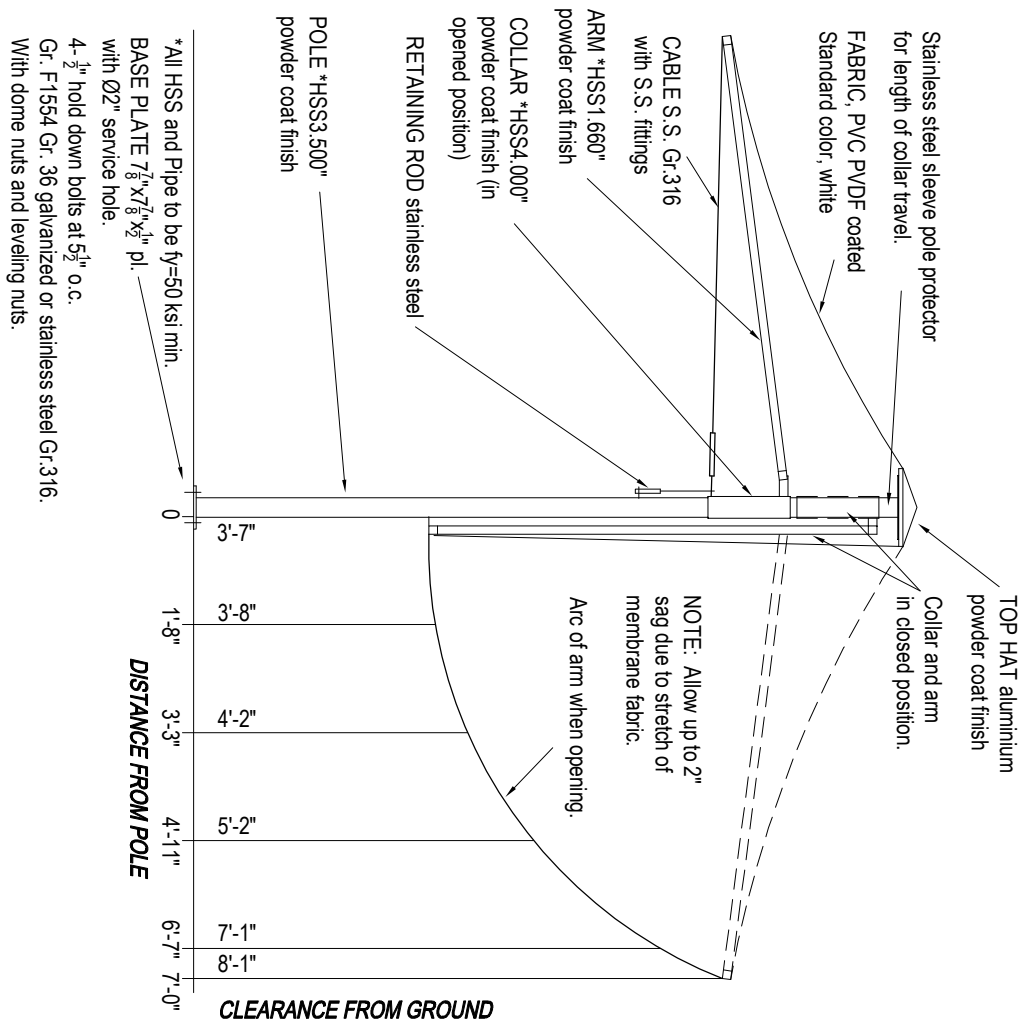


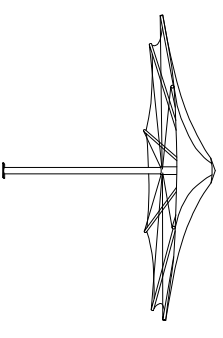
CENTRA OCTAGONAL 13'-4" - CO40
 Designed to 90mph, Exp B
 Rated when umbrella is fully erected.
 Umbrella weight: 176 lb

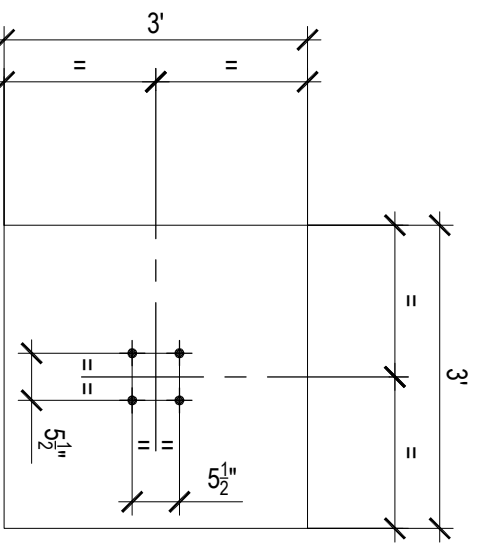
Overall dimensions represent clearance dimensions for the complete umbrella. Membrane dimensions differ depending on variations in tensioning and fabrication. All dimensions are nominal and have a tolerance of +/- 2".

Note : The umbrellas must be closed and tied before wind speeds reach gusts of 60mph (100km/h) Refer note on Specification - Umbrella Design.

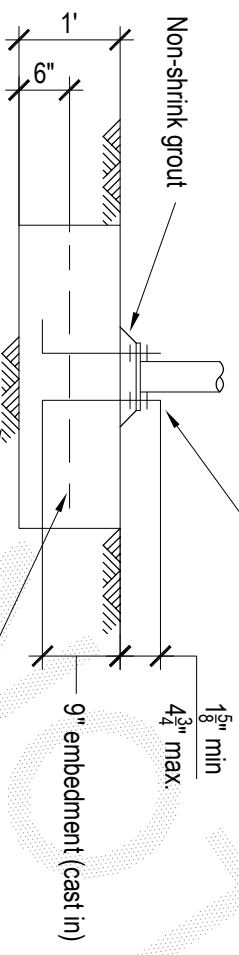


13'-4" Center Support Octagonal Umbrella Centra - Model CO40



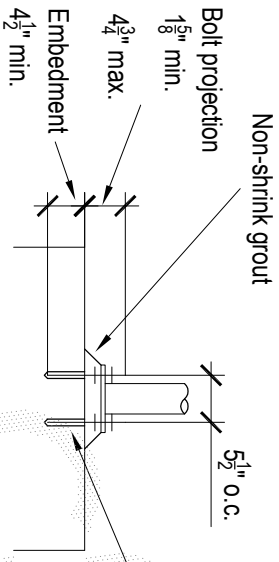


Plan



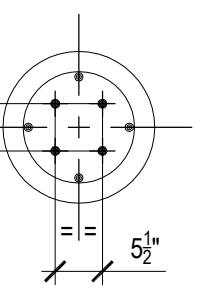
Elevation

CO40 - Pad Footing

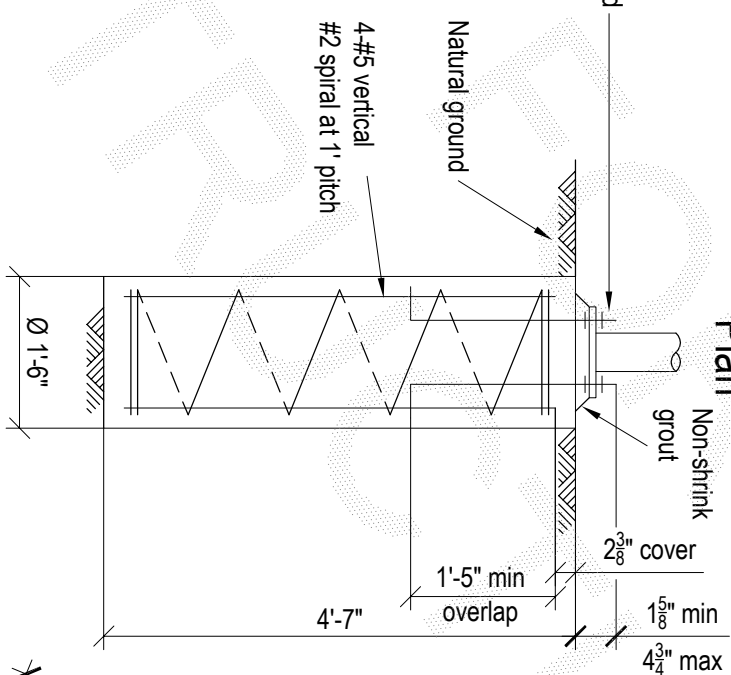


4- 1/2" H.D. bolts to be threaded rod F1554 Gr. 36 hot dipped galvanized, or stainless steel Gr.316. Supplied with nuts, washers and leveling nuts. Chemical anchors, at 5 1/2" x 5 1/2" centers to be **'HiHi HWU'**, or engineer approved equivalent, and to be installed in accordance with the manufacturer's instructions. Hole to be clean and dry at time of installation.

Chemical Anchor Detail

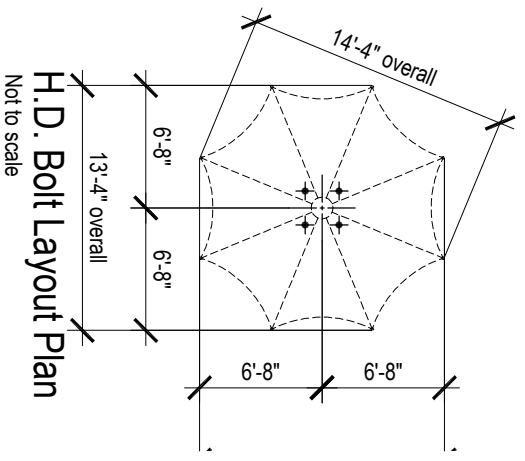


Plan



Elevation

CO40 - Pier Footing



H.D. Bolt Layout Plan
Not to scale

- Notes:**
- Designed to 90mph, Exp B
 - Assumed soil conditions:
 - Pad - bearing capacity 14.5 psf
 - Pier - cu=7.25 (stiff clay)
 - Minimum 2 3/8" cover to all reinforcement
 - Concrete strength f'c - 3600 psi
 - 3/4" aggregate size
 - Slump 2 1/2"
 - Anchor bolt location tolerances per Australian Standard AS 4800-1998**
 - 3mm for anchor bolt centers within an anchor bolt group.
 - 6mm for adjacent anchor bolt group centers.
 - Maximum accumulation of 6mm per 30m not to exceed a total of 25mm.
 - 6mm from anchor bolt group centre to column line center.

