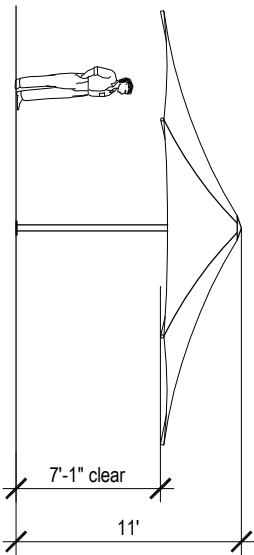


**Plan**

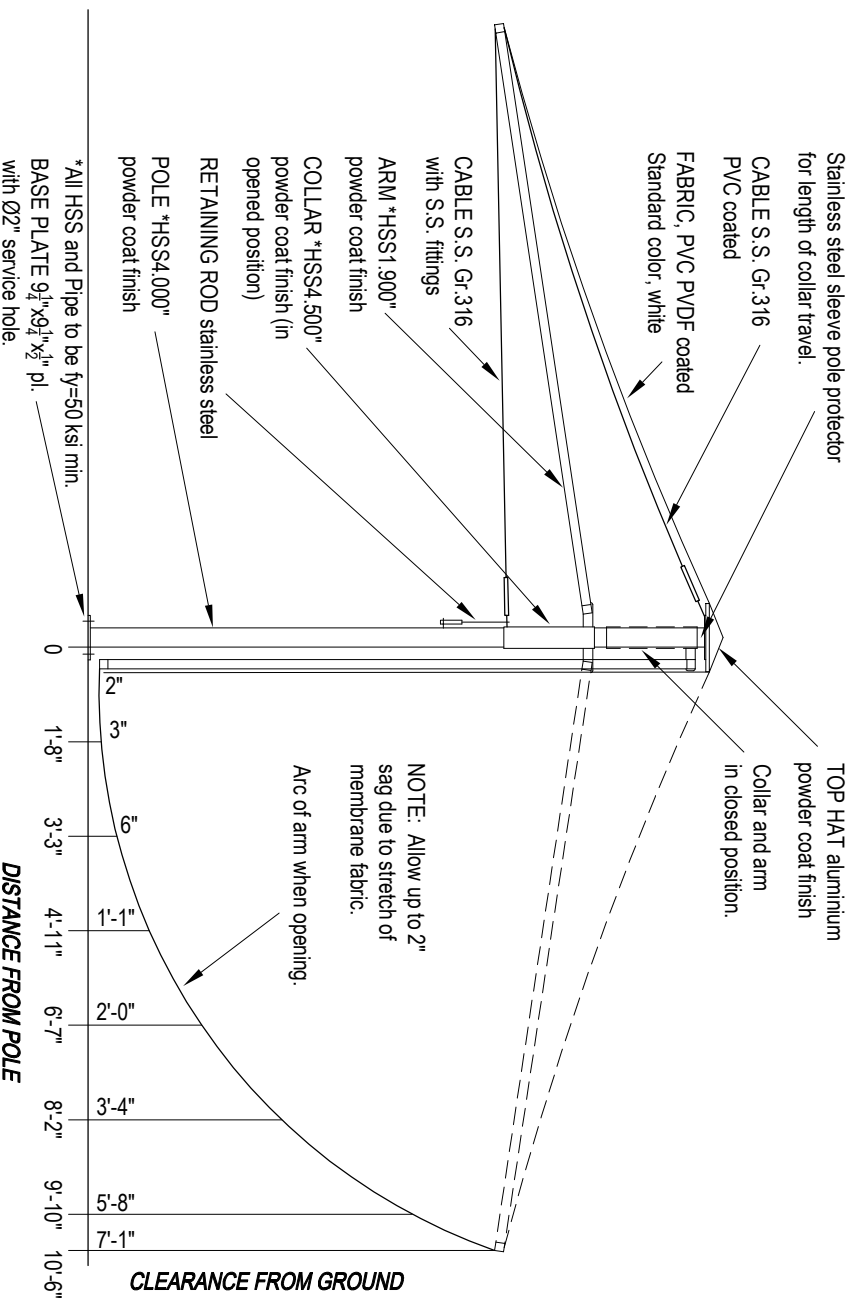


**Elevation**

**CENTRA HEXAGONAL 18'-6" - CH57**  
 Designed to 90mph, Exp B  
 Rated when umbrella is fully erected.  
 Umbrella weight: 287 lb

Overall dimensions represent clearance dimensions for the complete umbrella. Membrane dimensions differ, depending on variations in tensioning and fabrication. All dimensions are nominal and have a tolerance of +1, -2".

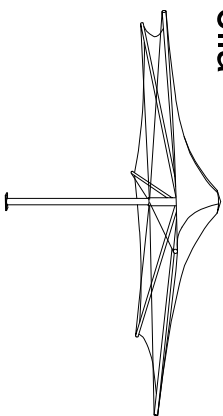
Note : The umbrellas must be closed and tied before wind speeds reach gusts of 60mph (100km/h). Refer note on Specification - Umbrella Design.

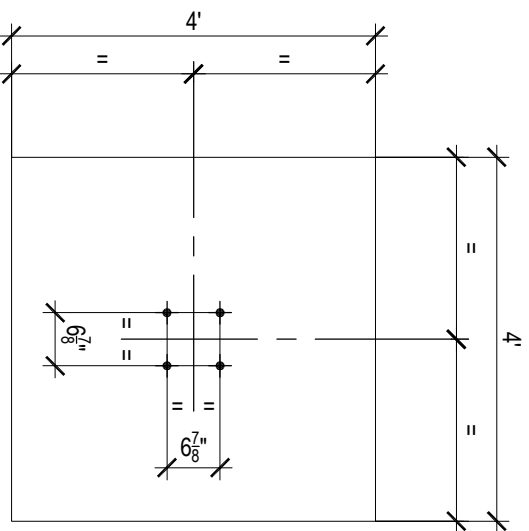


**OPENED POSITION**

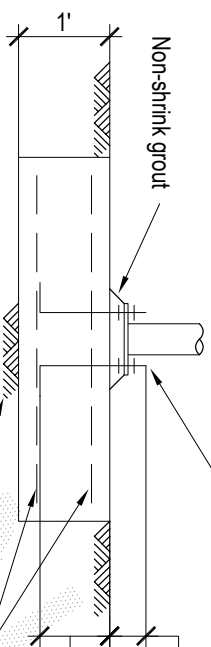
**CLOSED POSITION**

**18'-6" Center Support Hexagonal Umbrella**  
**Centra - Model CH57**

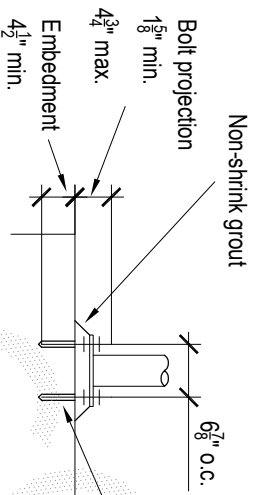




Plan



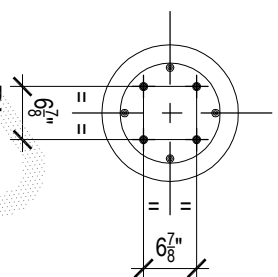
Elevation



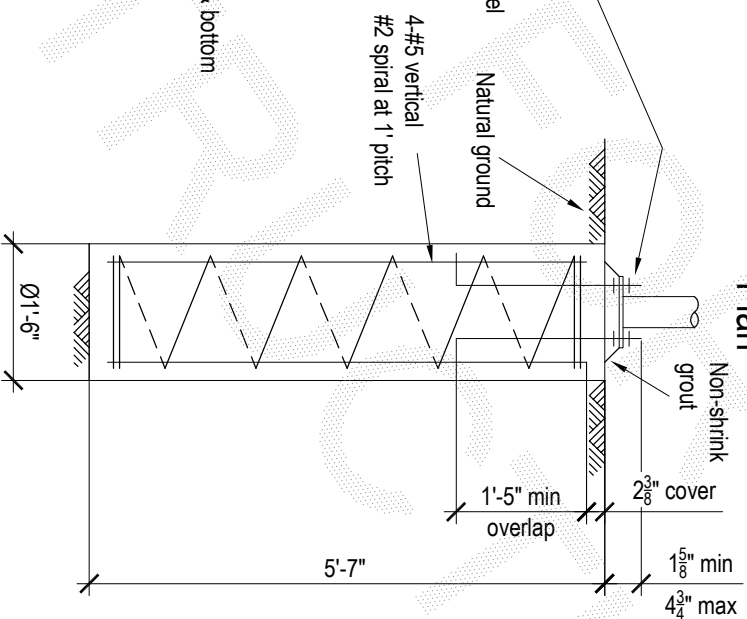
## CH57 - Pad Footing

- 4- $\frac{1}{2}$ " F1554 Gr. 36 galvanized H.D. bolts with nuts and leveling nuts - 4" hook to suit level of top of paving, tilting, etc
- 4- $\frac{3}{4}$ " max.
- 1 $\frac{5}{8}$ " min
- 9" embedment (cast in)
- 6x6-W5.5xW5.5 wire mesh top & bottom
- Natural Ground
- Non-shrink grout
- Bolt projection 1 $\frac{3}{8}$ " min.
- Embedment 4 $\frac{3}{4}$ " max.
- 4- $\frac{1}{2}$ " H.D. bolts to be threaded rod F1554 Gr. 36 hot dipped galvanized, or stainless steel Gr.316. Supplied with nuts, washers and leveling nuts. Chemical anchors, at 6 $\frac{7}{8}$ " x 6 $\frac{7}{8}$ " centers to be "Hitit HVU", or engineer approved equivalent, and to be installed in accordance with the manufacturer's instructions. Hole to be clean and dry at time of installation.

## Chemical Anchor Detail

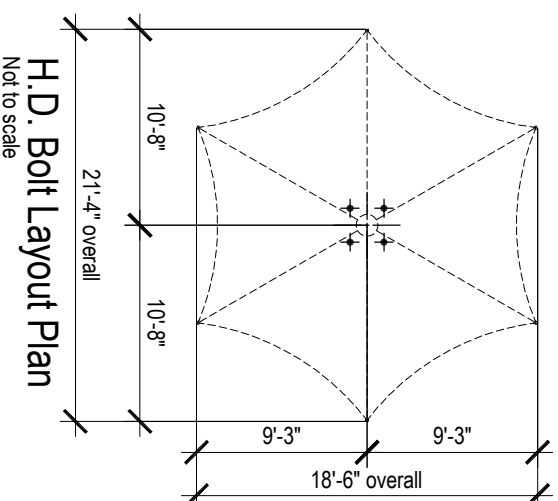


Plan



Elevation

## CH57 - Pier Footing



H.D. Bolt Layout Plan

Not to scale

**Notes:**  
Designed to 90mph, Exp B

Assumed soil conditions:  
Pad - bearing capacity 14.5 psf  
Pier - cu=7.25 psf (stiff clay)

Minimum 2 $\frac{3}{8}$ " cover to all reinforcement  
Concrete strength f<sub>c</sub> 3600 psi  
3" aggregate size  
Slump 2 $\frac{1}{2}$ "

**Anchor bolt location tolerances per Australian Standard AS 4800-1998**  
-3mm" for anchor bolt centers within an anchor bolt group.  
-6mm" for adjacent anchor bolt group centers.  
- Maximum accumulation of 6mm per 30m not to exceed a total of 25mm.  
-6mm from anchor bolt group center to column line center.